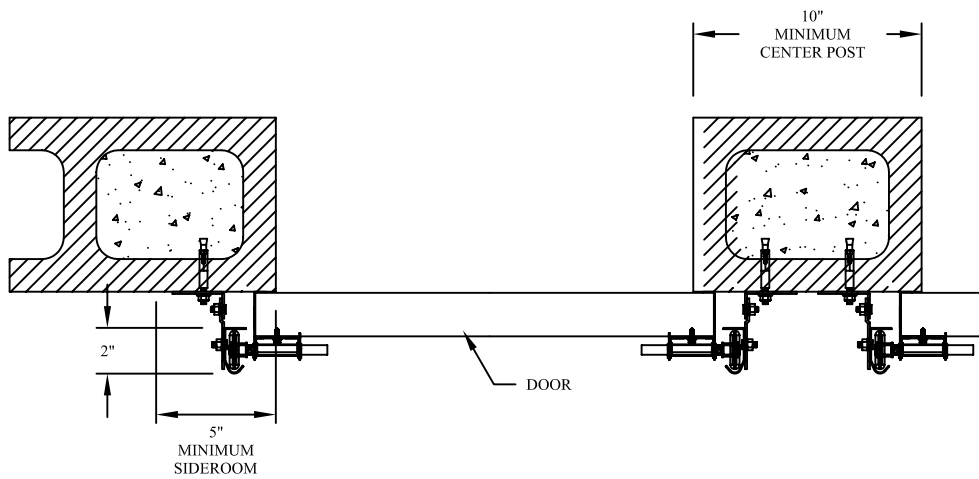
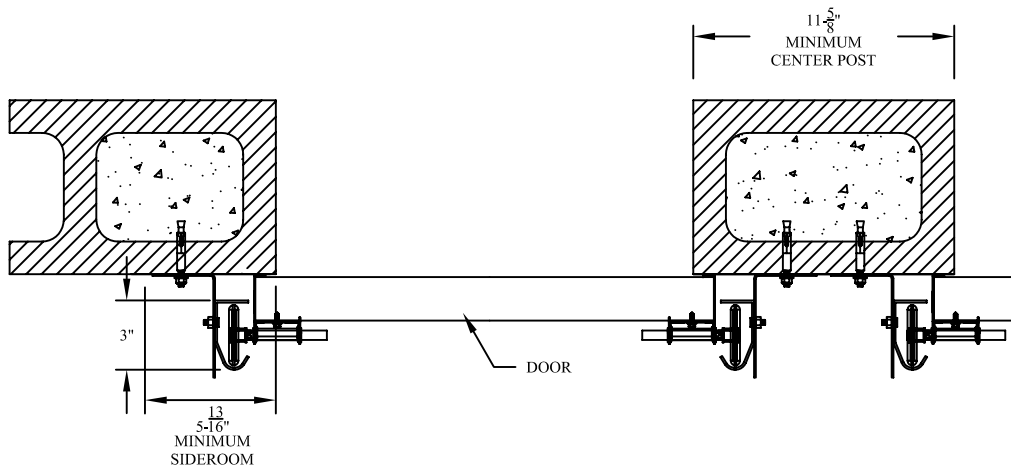


COMMERCIAL BRACKET MOUNT
TO CONCRETE/MASONRY JAMB DETAIL



COMMERCIAL CONTINUOUS ANGLE MOUNT
TO CONCRETE/MASONRY JAMB DETAIL



COMMERCIAL TAPERED REVERSE ANGLE MOUNT
(LEG OUT) TO CONCRETE/MASONRY JAMB DETAIL