



# Jackshaft Operator

## Medium-Duty Logic Door Operator

CHAMBERLAIN IS AN ISO9001:2008 REGISTERED COMPANY



I.C./F.C.C. Certified

Customer \_\_\_\_\_

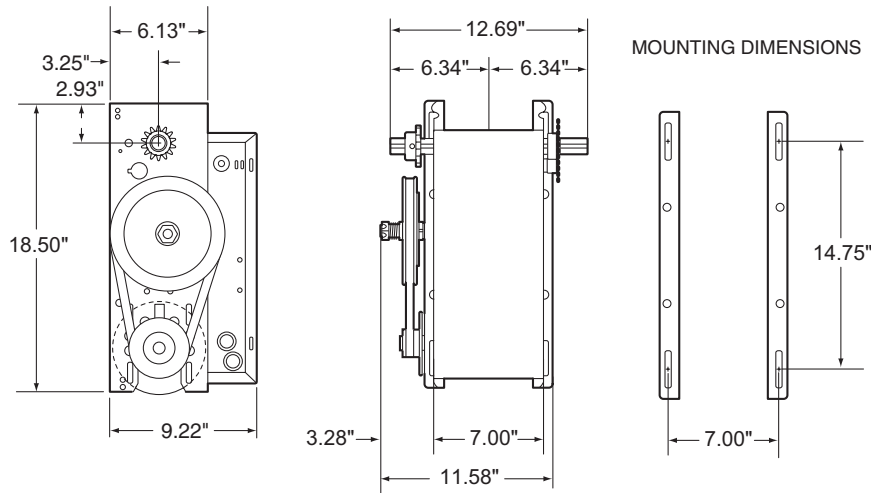
Project \_\_\_\_\_

Architect/Engineer \_\_\_\_\_

Contractor \_\_\_\_\_

Drawing Number \_\_\_\_\_ Date \_\_\_\_\_ Sheet \_\_\_\_\_ of \_\_\_\_\_

### SHOP DRAWING



### Specifications for Ordering

1) Supply \_\_\_\_\_ ( ) LiftMaster Operator(s) Model \_\_\_\_\_  
 \_\_\_\_\_ HP, \_\_\_\_\_ Volts, \_\_\_\_\_ Phase, \_\_\_\_\_ Hertz \_\_\_\_\_

2) For \_\_\_\_\_ wide x \_\_\_\_\_ high door(s) with \_\_\_\_\_

3) Supply \_\_\_\_\_ ( ) OPEN/CLOSE/STOP control station(s) in NEMA \_\_\_\_\_ enclosure per operator

4) Supply auxiliary and optional equipment as specified below (one per operator unless otherwise noted)

Additional Info

### Notes:

- 1) Refer to Model MJ product data sheet for general information
- 2) Refer to drawing \_\_\_\_\_ for wiring diagram

MOTOR AMPERAGE RATING	
HORSE POWER	VOLTAGE - PHASE - 60Hz
	1/2

Manufactured by:  
 The Chamberlain Group, Inc.  
 845 Larch Avenue • Elmhurst, Illinois 60126  
**For More Information:**  
 call (800) 323-2276  
 visit [www.liftmaster.com](http://www.liftmaster.com) or  
<http://specs.liftmaster.com/architectscorner>



# LiftMaster®

Commercial Door Operators