

J Jackshaft Operator

Industrial-Duty Door Operator

CHAMBERLAIN IS AN ISO9001:2008 REGISTERED COMPANY



I.C./F.C.C. Certified

Customer _____

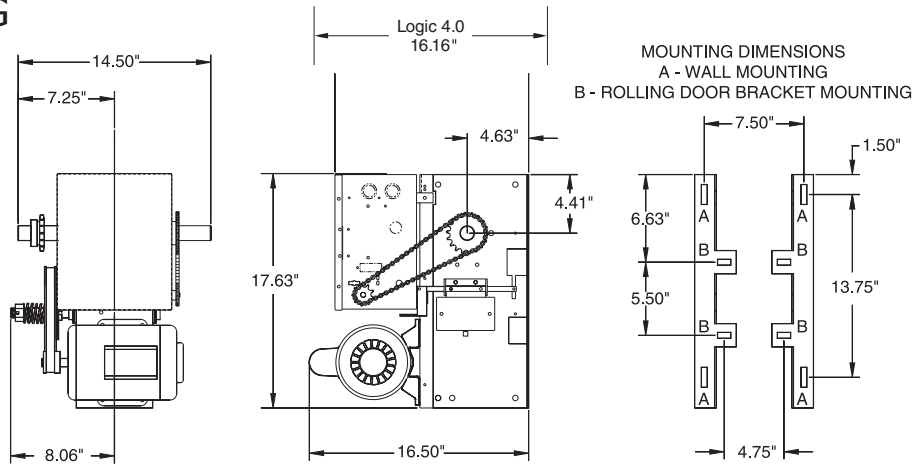
Project _____

Architect/Engineer _____

Contractor _____

Drawing Number _____ Date _____ Sheet _____ of _____

SHOP DRAWING



Specifications for Ordering

1) Supply _____ () LiftMaster Operator(s) Model _____
 _____ HP, _____ Volts, _____ Phase, _____ Hertz _____

2) For _____ wide x _____ high door(s) with _____

3) Supply _____ () OPEN/CLOSE/STOP control station(s) in NEMA _____ enclosure per operator

4) Supply auxiliary and optional equipment as specified below (one per operator unless otherwise noted)

Additional Info

Notes:

- 1) Refer to Model J product data sheet for general information
- 2) Refer to drawing _____ for wiring diagram

Manufactured by:
 The Chamberlain Group, Inc.
 845 Larch Avenue • Elmhurst, Illinois 60126
For More Information:
 call (800) 323-2276
 visit www.liftmaster.com or
<http://specs.liftmaster.com/architectscorner>

HORSE POWER	MOTOR AMPERAGE RATING				
	VOLTAGE - PHASE - 60Hz				
	115-1Ø	230-1Ø	230-3Ø	460-3Ø	575-3Ø
1/3	6.6	3.3	2.2	1.0	0.8
1/2	8.2	4.1	2.2	1.0	0.8
3/4	11.2	5.6	2.9	1.4	1.2
1	13.6	6.8	3.4	1.7	1.4



LiftMaster®

Commercial Door Operators